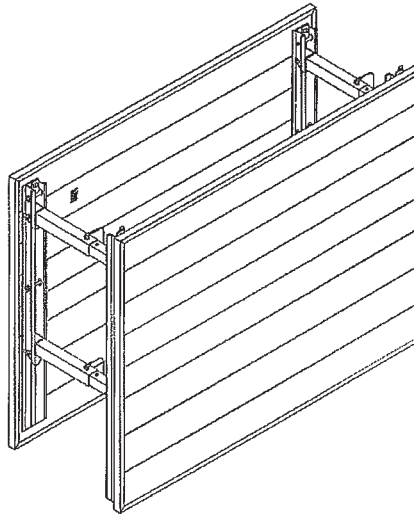


64-029

# ***SPEED SHORE***

MANUFACTURER'S TABULATED DATA

## **ALUMINUM PANEL SHIELDS**



January 1, 2005

**SPEED**  **SHORE**

3330 S. SAM HOUSTON PKWY E. HOUSTON, TEXAS 77047  
Tel: (713) 943-0750 U.S.A. Toll Free: (800) 231-6662 Fax: (713) 943-8483

COPYRIGHT, U.S.A., SPEED SHORE CORPORATION, 2005

## WARNING

### EXCAVATION PROCEDURES MAY BE VERY DANGEROUS

- A TRAINED *COMPETENT PERSON* SHALL: SUPERVISE ALL EXCAVATION OPERATIONS, ENSURE THAT ALL PERSONNEL ARE WORKING IN SAFE CONDITIONS, AND HAVE THOROUGH KNOWLEDGE OF THIS TABULATED DATA. THE *COMPETENT PERSON* SHALL HAVE THE AUTHORITY TO STOP WORK WHEN IT IS UNSAFE FOR WORKERS TO ENTER AN EXCAVATION.
- ALL PERSONNEL SHALL BE TRAINED IN CORRECT EXCAVATION PROCEDURES, PROPER USE OF THE PROTECTIVE SYSTEM AND ALL SAFETY PRECAUTIONS.
- EXCAVATIONS AND PROTECTIVE SYSTEMS SHALL BE INSPECTED AT LEAST DAILY AND WHENEVER THERE IS A CHANGE OF SOIL, WATER OR OTHER JOB SITE CONDITIONS.
- ALL LIFTING AND PULLING EQUIPMENT, INCLUDING CABLES, SLINGS, CHAINS, SHACKLES AND SAFETY HOOKS SHALL BE EVALUATED FOR SUITABILITY AND CAPACITY, AND SHALL BE INSPECTED FOR DAMAGE OR DEFECTS PRIOR TO USE.
- ALL INSTALLATION AND REMOVAL OF SHORING AND SHIELDING SHALL BE FROM ABOVE GROUND ONLY.
- DO NOT ALLOW PERSONNEL TO ENTER AN EXCAVATION THAT IS NOT PROPERLY SHORED, SHIELDED OR SLOPED.
- PERSONNEL SHALL ALWAYS WORK WITHIN THE SHORING AND SHIELDING. PERSONNEL SHALL NOT STAND ON THE EDGE OF AN UNSHORED EXCAVATION.
- ALL PERSONNEL SHALL ENTER AND EXIT EXCAVATIONS ONLY WITHIN SHIELDED OR SHORED AREAS.

SPEED SHORE'S "MANUFACTURER'S TABULATED DATA" IS A GENERAL SET OF GUIDELINES AND TABLES TO ASSIST THE *COMPETENT PERSON* IN SELECTING A SAFETY SYSTEM AND THE PROPER SHORING OR SHIELDING EQUIPMENT. THE *COMPETENT PERSON* HAS SOLE RESPONSIBILITY FOR JOB SITE SAFETY AND THE PROPER SELECTION AND INSTALLATION AND REMOVAL OF THE SHORING OR SHIELDING EQUIPMENT.

THIS TABULATED DATA IS NOT INTENDED TO BE USED AS A JOB SPECIFIC EXCAVATION SAFETY PLAN, BUT SHALL BE USED BY THE *COMPETENT PERSON* TO SUPPLEMENT HIS TRAINING, HIS EXPERIENCE AND HIS KNOWLEDGE OF THE JOB CONDITIONS AND SOIL TYPE.

SPEED SHORE  
TABULATED DATA

**1.0 SCOPE**

- 1.1 Speed Shore's Tabulated Data complies with the O.S.H.A. standards as stated in the Code of Federal Regulations 29, Part 1926, Subpart P - Excavations, Section 1926.652(c)(2). This data shall only be used by the contractor's *competent person* in the selection of Speed Shore Trench Shields. The *competent person* shall be experienced and knowledgeable in trenching and excavation procedures, soil identification and in the use of Speed Shore Aluminum Panel Shields.
- 1.2 All personnel involved in the installation, removal and use of Aluminum Panel Shields shall be trained in their use and advised of appropriate safety procedures.
- 1.3 Tables APS-1 and APS-2 is based upon requirements stated in CFR 29, Part 1926 and applicable portions of CFR 29, Part 1910. The *competent person* shall know and understand the requirements of those parts before using this data.
- 1.4 Whenever there is a variance between this Tabulated Data and CFR 29, Part 1926, Subpart P - Excavations, this Tabulated Data shall take precedence. Whenever a topic or subject is not contained in this Tabulated Data, the *competent person* shall refer to CFR 29, Part 1926, Subpart P - Excavations.
- 1.5 This data refers to the Code of Federal Regulations, 29, Parts 1910 and 1926. In states that have their own state O.S.H.A. refer to similar regulations in the current construction rules published by the state office of Occupational Health and Safety.
- 1.6 Tables APS-1 and APS-2 shall be used only in excavations with soil conditions as noted. For other soil and excavation conditions and depths, site-specific engineered designs are required. Contact Speed Shore Corporation for assistance
- 1.7 This Tabulated Data is applicable for standard products manufactured exclusively by Speed Shore and may only be used with Speed Shore manufactured products. Any modification of Speed Shore products not specifically authorized by Speed Shore Corporation voids this data.

**2.0 DEFINITIONS (RE: CFR 29, Part 1926.32 Definitions) - RESTATED FOR EMPHASIS**

- 2.1 1926.32 (F) "competent person" means one who is capable of identifying existing and predictable hazards in the surroundings or working conditions which are unsanitary, hazardous or dangerous to employees; and who has authorization to take prompt corrective measures to eliminate them.
- 2.2 1926.32 (p) "Shall" means mandatory.

**3.0 SOIL CLASSIFICATIONS**

- 3.1 In order to use the data presented in Tables APS-1 and APS-2 the soil type, or types, in which the excavation is cut shall first be determined by the *competent person* according to the O.S.H.A. soil classifications as set forth in CFR 29, Part 1926, Subpart P, Appendix A.
- 3.2 Tables APS-1 and APS-2 are also for use in Type C-60 soil (see 3.3 for definition).
- 3.3 Type C-60 soil is a moist, cohesive soil or a moist dense granular soil, which does not fit into Type A or Type B classifications, and is not flowing or submerged. This material can be cut with near vertical sidewalls and will stand unsupported long enough to allow the shields to be properly installed. The *competent person* must monitor the excavation for signs of deterioration of the soil as indicated by, but not limited to, freely seeping water or flowing soil entering the excavation around or below the Aluminum Panel Shields. An alternate design for less stable Type C soil may be required where there is evidence of deterioration.

- 3.4 Water flowing into an excavation, from either above or below ground, will cause a decrease in the stability of the soil. Therefore, the *competent person* shall take action to prevent water from entering the excavation and promptly remove any water that accumulates in the excavation. Closer monitoring of the soil is required under wet conditions, particularly in the less cohesive (weaker) soil conditions. A small amount of water, or flowing conditions may downgrade the soil classification to a less stable classification. A large amount of water, or flowing conditions will downgrade all soils to O.S.H.A. Type C. Speed Shore shoring and shielding systems may be used safely in wet conditions when the excavation is monitored by the *competent person*. Example: When repairing a leak in utility lines, it is often difficult or even impossible to keep water out of the excavation.

#### 4.0 PRESENTATION OF INFORMATION

- 4.1 Information is presented in tabular form in Tables APS-1 and APS-2 are for use in O.S.H.A. Type A, B and C soils, and for use in Type C-60 soil (see 3.3 for definition).
- 4.2 Tables APS-1 or APS-2 is not considered adequate when loads imposed by structures or by stored material adjacent to the trench weigh in excess of the load imposed by 3 feet of soil surcharge. The term "adjacent" as used here means the area within a horizontal distance from the edge of the trench equal to the depth of the trench.
- 4.3 Using Tables APS-1 and APS-2, the *competent person* determines the maximum depth the Aluminum Panel Shields may be used.
- 4.4 Table APS-1 is used when only the sides of the Aluminum Panel Shields are loaded. Table APS-2 is used when there is end panels attached and there is side and end loading on the Aluminum Panel Shield.

#### 5.0 ASSEMBLY

- 5.1 Aluminum Panel Shields shall be inspected by a *competent person* before assembly.
- 5.2 All damage shall be evaluated and repairs made under the direction of a registered professional engineer. All missing or damaged components shall be replaced with genuine Speed Shore parts.
- 5.3 All lifting and pulling equipment, (including cables, slings, chains, shackles and safety hooks) used to handle shields or components shall be evaluated for lifting capacity, and inspected for damage or defects, prior to use, by experienced operators and shall meet O.S.H.A. requirements.
- 5.4 Tag lines or other approved safety devices shall be utilized to keep employees away from loads handled by lifting equipment.
- 5.5 Spreaders, pins with keepers and accessories shall be in place before using the Aluminum Panel Shields.
- 5.6 Two spreaders are required at each end of all shields.
- 5.7 All spreaders shall be pinned at each end with 1-inch diameter pins furnished by Speed Shore.
- 5.8 Assembly instructions:
- 5.8.1 Lay the first panel on ground, spreader sockets up.
  - 5.8.2 Insert spreaders into the vertical walers and insert pins with keepers.
  - 5.8.3 Lower second panel onto spreader and insert pins with keepers.
  - 5.8.4 Adjustable spreaders shall be pinned to the width of the excavation to prevent lateral movement of the shield
  - 5.8.5 Attach 4-point lifting sling to lifting brackets.
  - 5.8.6 Stand APS shield up, attach tag lines and install into trench properly.

## 6.0 INSPECTION

- 6.1 The competent person must evaluate the soils to assure the rated capacity of the Aluminum Panel Shields is not exceeded by the lateral pressure of the soil. Soils shall be evaluated in accordance with Part 3.0.
- 6.2 The *competent person* shall monitor all phases of the assembly, installation and use of this product to evaluate and eliminate methods, which could endanger employees utilizing this product.
- 6.3 Daily inspections of the Aluminum Panel Shields and accessories must be performed by the *competent person* and deficiencies corrected.
- 6.4 Inspections shall be conducted as necessary for hazards associated with water accumulation, changing soil conditions, or changing site weather conditions.
- 6.5 Stacked shields shall be monitored to assure that each panel is secured to the one below it.

## 7.0 SAFETY SPECIFICATIONS

- 7.1 Employees shall be protected from loose or falling material. Aluminum Panel Shields must always be used in a manner that loose or falling soil cannot enter over the top or through the end of the shield. End plates may be required. Spoil piles must be kept back from the edge of the excavation at least 2 feet.
- 7.2 Employees shall not enter or exit shields through unprotected areas and shall remain in shields at all times while working.
- 7.3 Employees shall not be in or under a shield while it is being lifted or moved.
- 7.4 Bottom of shields may be a maximum of 2 feet above the bottom of the trench if there are no signs of deterioration of the trench face below or at the end of the shield.
- 7.5 Use of the spreader system for any purpose other than supporting the sidewall panels and Speed Shore-designed End Panels, or for pulling them forward is prohibited without written permission from the manufacturer.
- 7.6 The sides of the excavation should be cut vertical and narrow to prevent lateral movement of the shield. The width of the excavation shall be no wider than the width of the shield plus 12 inches.
- 7.7 Use Speed Shore supplied standard spreaders.
- 7.8 Water shall be prevented from entering the excavation and any water that does accumulate in the excavation shall be pumped out.
- 7.9 Contact Speed Shore for any non-typical use of the Aluminum Panel Shields.

## 8.0 EXAMPLE TO ILLUSTRATE THE USE OF TABLES APS-1 and APS-2:

Problem: A trench is 8 feet deep in soil that has been classified by the *competent person* to be O.S.H.A. Type C-60. For pipe joint purposes, 12 feet long shields are required. Which Aluminum Panel Shields may be used?

Studying Table APS-1 shows that an APS-0812 is adequate down to 14 feet.

TABLE APS-1

MODEL	CAPACITY P.S.F.	MAXIMUM DEPTH RATING FOR SPOIL TYPE (FEET)					VERTICAL PIPE CLEARANCE INCHES	WEIGHT APPX. POUNDS
		A-25	B-35	B-45	C-60	C-80		
APS-0406	4,190	25	25	25	25	25	18	525
APS-0408	2,050	25	25	25	25	25	18	640
APS-0410	1,210	25	25	25	21	16	18	750
APS-0412	800	25	22	18	14	11	18	860
APS-0414	570	21	16	13	10	8	18	975
APS-0416	420	15	12	10	8	6	18	1,085
APS-0606	2,330	25	25	25	25	25	30	755
APS-0608	1,750	25	25	25	25	25	30	925
APS-0610	1,210	25	25	25	21	16	30	1,090
APS-0612	800	25	22	18	14	11	30	1,250
APS-0614	570	21	16	13	10	8	30	1,420
APS-0616	420	15	12	10	8	6	30	1,580
APS-0806	1,650	25	25	25	25	21	36	985
APS-0808	1,240	25	25	25	20	16	36	1,205
APS-0810	990	25	25	21	16	13	36	1,425
APS-0812	800	25	22	18	14	11	36	1,640
APS-0814	570	21	16	13	10	8	36	1,860
APS-0816	420	15	12	10	8	6	36	2,080

## Notes to table APS-1.

- (1) If a specific model APS trench shield is not shown in Table APS-1, the competent person must refer to the trench shield certification to determine capacity and working depths. All other aspects of this tabulated data applies to any APS shield not shown in Table APS-1.
- (2) Weights are approximate.
- (3) Depth ratings include a surcharge loading of approximately 300 p.s.f. on the earth's surface next to the excavation.

TABLE APS-2

END LOADING CAPACITY

MODEL	CAPACITY P.S.F.	MAXIMUM DEPTH RATING FOR SPOIL TYPE (FEET)				
		A-25	B-35	B-45	C-60	C-80
APS-0406	1,820	25	25	25	25	25
APS-0408	1,820	25	25	25	25	25
APS-0410	1,210	25	25	25	21	16
APS-0412	800	25	22	18	14	11
APS-0414	570	21	16	13	10	8
APS-0416	420	15	12	10	8	6
APS-0606	1,120	25	25	25	19	15
APS-0608	1,120	25	25	25	19	15
APS-0610	1,120	25	25	25	19	15
APS-0612	800	25	22	18	14	11
APS-0614	570	21	16	13	10	8
APS-0616	420	15	12	10	8	6
APS-0806	880	25	24	19	14	11
APS-0808	880	25	24	19	14	11
APS-0810	880	25	24	19	14	11
APS-0812	800	25	22	18	14	11
APS-0814	570	21	16	13	10	8
APS-0816	420	15	12	10	8	6

## Notes to table APS-2.

- (1) Heavy-duty adjustable spreaders required for end loading.
- (2) Sheeting supported by spreaders may be:
  - a. ¼ in. Finn-Form plywood or equal.
  - b. Speed Shore corrugated aluminum sheeting.
  - c. Speed Shore 2 ½ in. x 12 in. extruded aluminum sheeting.
  - d. Steel sheet piling
  - e. 1 ½ in. thick timber
  - f. ½ in thick steel plate
- (3) Depth ratings include a surcharge loading of approximately 300 p.s.f. on the earth's surface next to the excavation.

